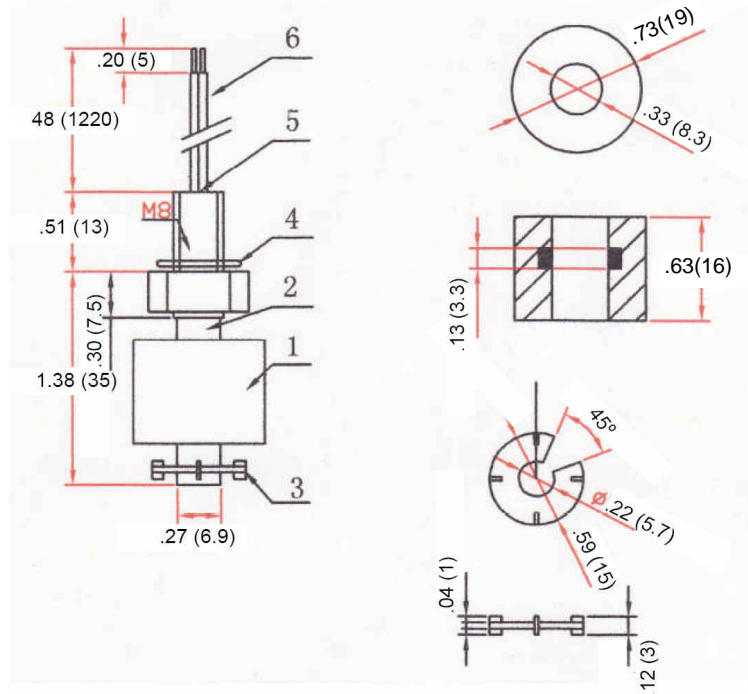




FLT015 Float Switch

- Versatile, economical and compact.
- UL Listed internal reed switch.
- Normally closed; float can be removed, inverted and replaced for normally open operation.
- M8 stem threading – each switch comes with a nut and silicon o-ring.
- Warranted against manufacturer defect for 180 days from delivery date.



Unit: Inches (mm)

Operation: When the float drops toward the c-clip, the internal reed contacts draw together and complete a circuit. When the float rises, the contacts separate and open the circuit.

Materials:

- | | | |
|----|-----------|----------------------|
| 1. | Float: | Polypropylene |
| 2. | Stem: | POM |
| 3. | Nut: | Polypropylene |
| 4. | O-ring: | Silicon |
| 5. | Clip: | POM |
| 6. | Leads: | 22 Gauge, 48", black |
| 7. | Top Fill: | Epoxy |

Specifications:*

- | | |
|-------------------------|-------------|
| Temperature: | -10 ~ +80°C |
| Contact rating: | 50W |
| Max Switching Voltage: | <=220VAC |
| Min Breakdown Voltage: | 600VDC |
| Max Switching Current: | 2.5A |
| Max Contact Resistance: | 100mΩ |

*Can be customized to your requirements

773-252-9660 • info@chicagosensor.com
 1736 W. Pierce Avenue • Chicago, IL 60622
 Warehouse: 5113 Richmond Road • Ringwood, IL 60072